

LOCNACELLE

SIÈGE SOCIAL : 57 THIONVILLE
03 82 82 55 50

AGENCES :

- PARIS NORD
03 44 64 15 15
- PARIS OUEST
01 30 98 58 48
- RHÔNES-ALPES
04 78 97 29 06
- MÉDITERRANÉE
04 42 43 59 21
- LORRAINE
03 82 82 55 50 THIONVILLE
06 12 47 04 13 ST-AVOLD
06 09 05 61 36 NANCY
- CHAMPAGNE
03 26 88 72 86
- ALSACE
03 88 48 16 16
- LUXEMBOURG
+ 352 26 51 16 61

LOCATION DE NACELLES ET DE CHARIOTS JUSQU'À 70 MÈTRES

Nacelle **ciseau électrique** **GS2032**

MODELS **GS™-1932**

Working height maximum*	7.79 m
A Platform height maximum	5.79 m
B Platform length - outside	1.63 m
extended	2.54 m
Slide-out platform extension deck	91 cm
C Platform width - outside	74 cm
Guardrail height:	1.10 m
Toeboard height	15 cm
D Height - stowed: fixed rails	2.00 m
folding guardrails	2.11 m
rails folded	1.75 m
E Length - stowed	1.83 m
Length - stowed extended	2.74 m
F Width	81.3 cm
G Wheelbase	1.32 m
H Ground clearance - centre	6 cm
I - with pothole guards deployed	2 cm

PRODUCTIVITY

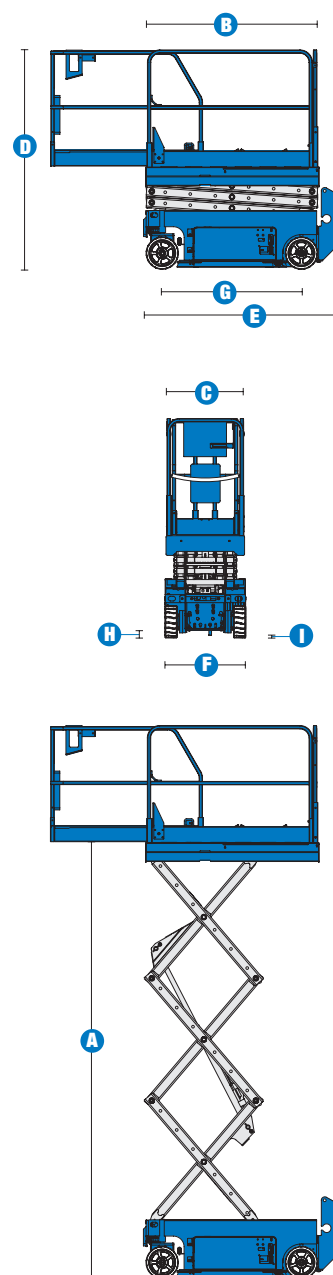
Max platform occupancy (indoor/outdoor)	2/1
Lift capacity	227 kg
Drive speed - stowed	4.0 km/h
Drive speed - raised	0.8 km/h
Gradeability**	30%
Turning radius - inside	zero
Turning radius - outside	1.55 m
Raise / lower speed	16 / 25 sec
Controls	proportional
Drive	dual front wheel
Multiple disc brakes	dual rear wheel
Tyres - solid non-marking	30 x 11 x 20 cm

POWER

Power source	24 V (four 6 V 225 Ah batteries)
Hydraulic system capacity	14.2 L

WEIGHT***

	1,498 kg
--	----------



Toujours plus haut, toujours plus sûr.

