

# LOCNACELLE

SIÈGE SOCIAL : 57 THIONVILLE  
03 82 82 55 50

AGENCES :

- PARIS NORD  
03 44 64 15 15
- PARIS OUEST  
01 30 98 58 48
- RHÔNES-ALPES  
04 78 97 29 06
- MÉDITERRANÉE  
04 42 43 59 21
- LORRAINE  
03 82 82 55 50 THIONVILLE  
06 12 47 04 13 ST-AVOLD  
06 09 05 61 36 NANCY

• CHAMPAGNE  
03 26 88 72 86

• ALSACE  
03 88 48 16 16

• LUXEMBOURG  
+ 352 26 51 16 61

LOCATION DE NACELLES ET DE CHARIOTS JUSQU'À 70 MÈTRES

## Nacelle **ciseau électrique** GS1932

### MODELS **GS™-2032**

MEASUREMENTS	Metric	US
Working height maximum*	8.10 m	26 ft
<b>A</b> Platform height maximum	6.10 m	20 ft
<b>B</b> Platform height stowed	1.03 m	3 ft 4.5 in
<b>C</b> Platform length - outside	2.26 m	7 ft 5 in
extended	3.18 m	10 ft 5 in
Slide-out platform extension deck	91 cm	3 ft
<b>D</b> Platform width - outside	81 cm	2 ft 8 in
Guardrail height: Rigid Rail	99 cm	3 ft 3 in
Fold Down Rail	1.10 m	3 ft 7 in
Toeboard height	15 cm	6 in
<b>E</b> Height - stowed		
fixed rails	2.13 m	7 ft
folding guardrails	2.13 m	7 ft
rails folded	1.75 m	5 ft 9 in
<b>F</b> Length - stowed	2.44 m	8 ft
Length - extended	3.33 m	10 ft 11 in
<b>G</b> Width	81 cm	2 ft 8 in
<b>H</b> Wheelbase	1.85 m	6 ft 1 in
<b>I</b> Ground clearance - centre	9 cm	3.5 in
<b>J</b> - with pothole guards deployed	2 cm	.75 in

### PRODUCTIVITY

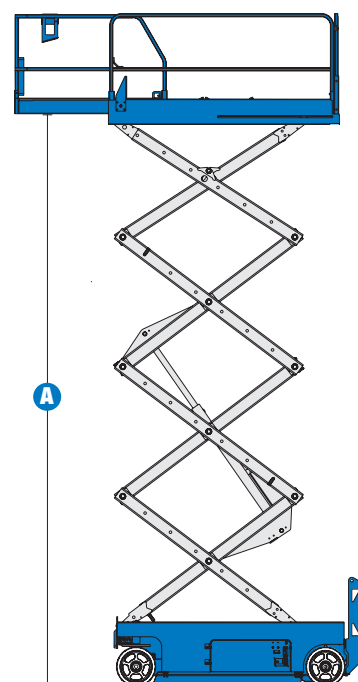
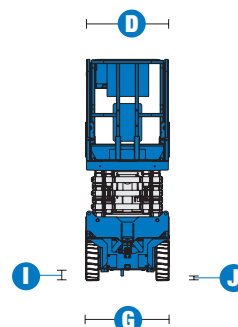
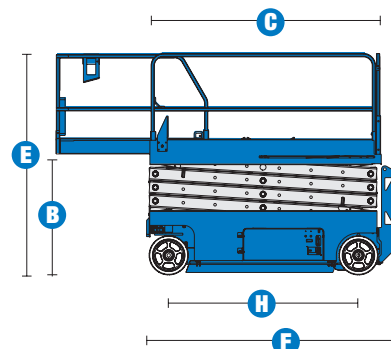
Max platform occupancy (indoor/outdoor)	2/1	2/1
Lift capacity	363 kg	800 lbs
Drive height	full height	
Drive speed - stowed	3.5 km/h	2.2 mph
Drive speed - raised	0.8 km/h	0.5 mph
Gradeability - stowed**	30%	
Max outrigger levelling: front to back	-	-
side to side	-	-
Turning radius - inside	zero	zero
Turning radius - outside	2.13 m	7 ft
Raise / lower speed	30 / 34 sec	30 / 34 sec
Controls	proportional	
Drive	dual front wheel	
Multiple disc brakes	dual rear wheel	
Tyres - solid non-marking	38 x 13 x 28 cm	15 x 5 x 11 in

### POWER

Power source	24 V DC (four 6V 225 Ah batteries)
Hydraulic system capacity	14.2 L 3.75 gal

### WEIGHT\*\*\*

	1,825 kg	4,024 lbs
--	----------	-----------



*Toujours plus haut, toujours plus sûr.*

